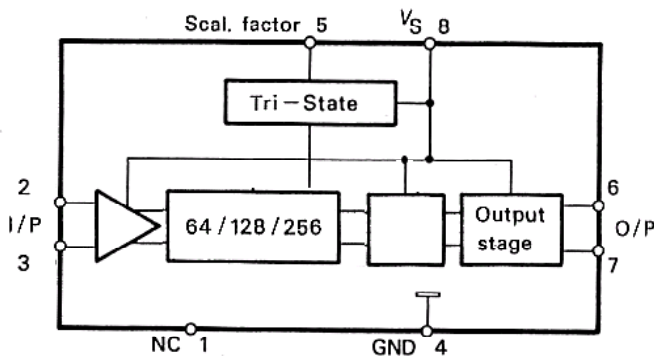


Prescaler for TV and VTR purposes

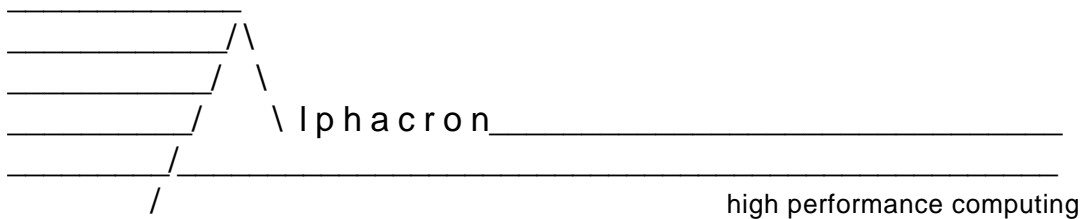
U 891 BS / U 891 BS-FP / 1,1 GHz

Supply voltage range	Pin 8	V_S	4,5 ... 5,5 V
Supply current	Pin 4	I_S	17 mA
Input sensitivity	Pin 2,3		10 mV
$f_i = 70 \dots 1000$ MHz, $R_G = 50$ Ohm			15 mV
$f_i = 1000 \dots 1100$ MHz	Pin 2,3	V_i	300 mV
Large signal Compatibility			
Balanced ECL output			
Voltage switching each output		V_o	0,6 V_{pp}
C_1 13pf, SF = 1:64			
Switching voltage for scaling	Pin 5	64 V_{SF}	open
		128 V_{SF}	$V_S \dots 0,5$ V
		256 V_{SF}	0 ... 0,3 V



Pin compatible to U 813 BS

This document is manually refreshed and without any warranty!!!



AlphaCron Datensysteme
Wandersleber Strasse 1a
99192 Apfelstaedt
(GERMANY)

www.alphacron.de

